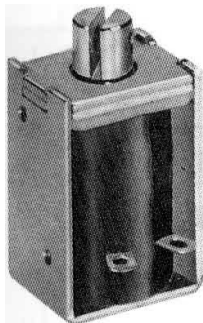




In&Out Electronic Corp.

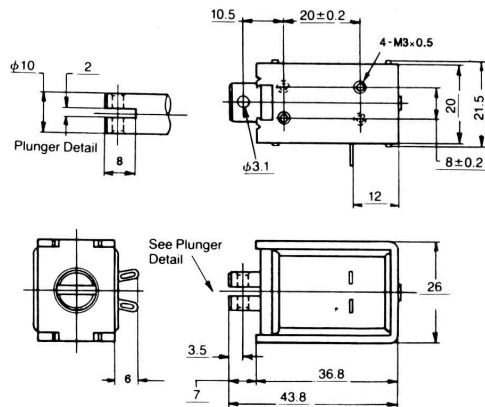
# SO-1037

## ► PRACTICALITY

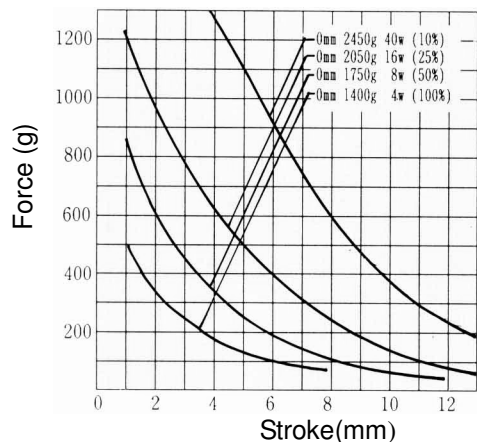


20\*26\*36.5

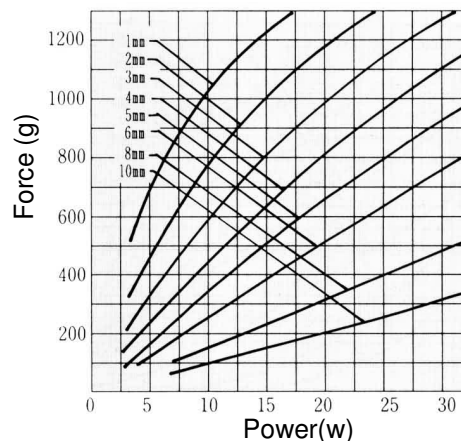
## ► DIMENSIONS(UNIT:MM)



## ► STROKE AND FORCE



## ► POWER AND FORCE



## ■ COIL DATA

Duty cycle(%) $\frac{\text{"ON" time}}{\text{"ON" time} + \text{"OFF" time}} \times 100\%$			100%	50%	25%	10%
			Continuous	INTERMITTENT		
MAX. "ON" time in seconds			$\infty$	140	50	9
Watts at 20°C			4.0	8.0	16.0	40.0
Ampere-Turns at 20°C			666	941	1332	2106
Type no.	Resistance $\Omega$ (20°C)	Coil Turns	Coil Voltage			
SO-1037-6V	9	1000	6	8.5	12	19
SO-1037-12V	36	2000	12	17	24	38
SO-1037-24V	144	4000	24	34	48	76
SO-1037-48V	576	7540	48	68	96	152