

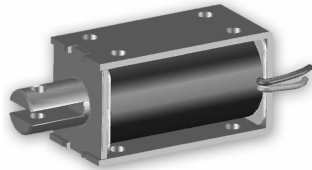


**IOEC**

**In&Out Electronic Corp.**

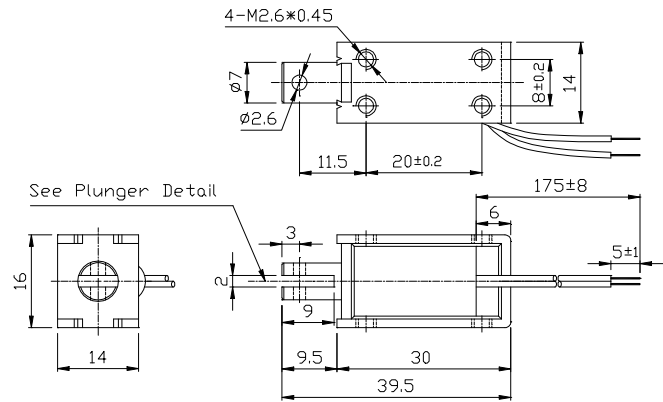
**SO-0730**

**► PRACTICALITY**

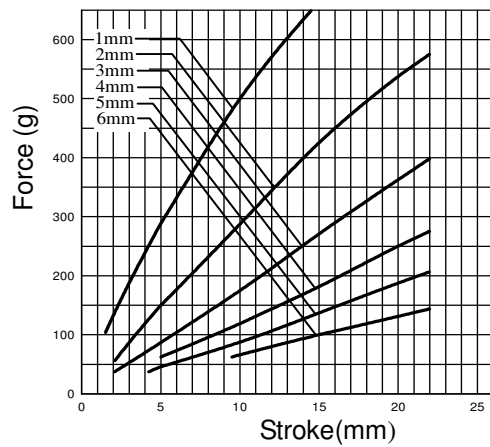


16\*14\*30

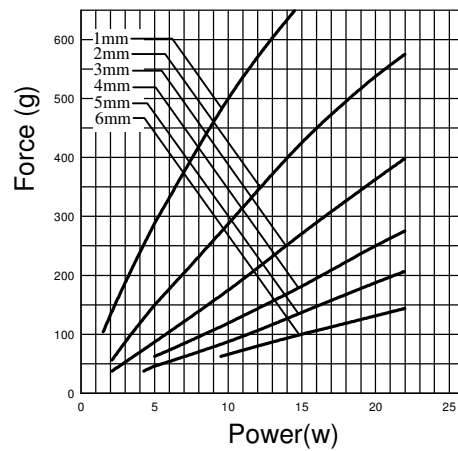
**► DIMENSIONS(UNIT:MM)**



**► STROKE AND FORCE**



**► POWER AND FORCE**



**■ COIL DATA**

Duty cycle(%) $\frac{\text{"ON" time}}{\text{"ON" time} + \text{"OFF" time}} \times 100\%$			100%	50%	25%	10%
			Continuous	INTERMITTENT		
MAX. "ON" time in seconds			$\infty$	55	19	3
Watts at 20°C			2.2	4.4	8.8	22
Ampere-Turns at 20°C			358	507	716	1134
Type no.	Resistance $\Omega$ (20°C)	Coil Turns	Coil Voltage			
SO-0730-6V	16.4	979	6	8.5	12	19
SO-0730-12V	65.5	1954	12	17	24	38
SO-0730-24V	262	3908	24	34	48	76
SO-0730-48V	1047	7809	48	68	96	152