



**IOEC**

**In&Out Electronic Corp.**

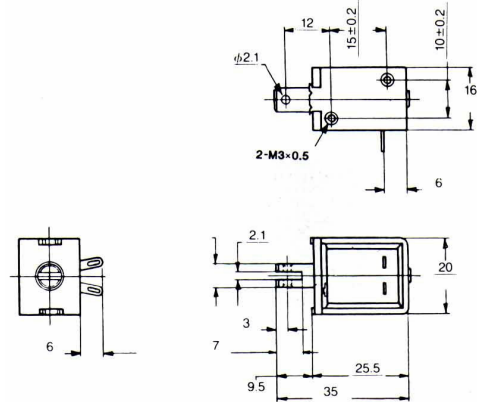
**SO-0626**

**▶ PRACTICALITY**

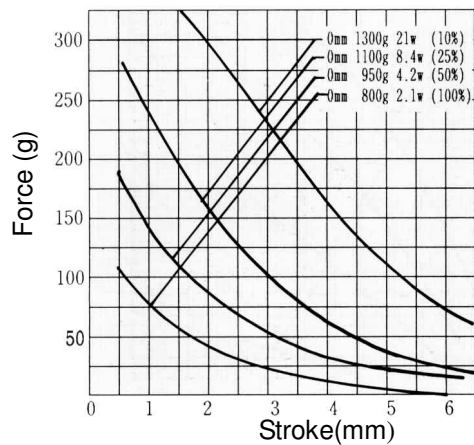


16\*20\*25.5

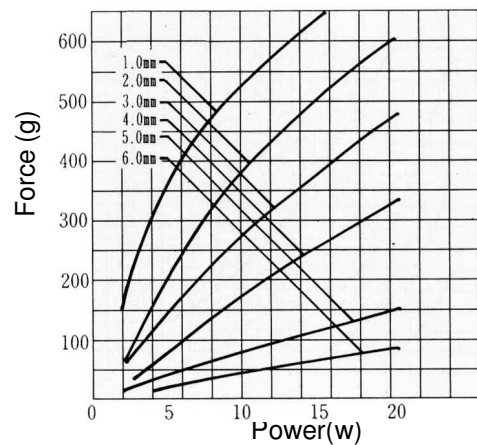
**▶ DIMENSIONS(UNIT:MM)**



**▶ STROKE AND FORCE**



**▶ POWER AND FORCE**



**■ COIL DATA**

Duty cycle(%) $\frac{\text{"ON" time}}{\text{"ON" time} + \text{"OFF" time}} \times 100\%$			100%	50%	25%	10%
			Continuous	INTERMITTENT		
MAX. "ON" time in seconds			$\infty$	55	19	3
Watts at 20°C			2.1	4.2	8.4	21
Ampere-Turns at 20°C			428	605	856	1353
Type no.	Resistance $\Omega$ (20°C)	Coil Turns	Coil Voltage			
SO-0626-6V	17.1	1220	6	8.5	12	19
SO-0626P-12V	68.6	2447	12	17	24	38
SO-0626P-24V	274	4886	24	34	48	76
SO-0626P-48V	1097	9782	48	68	96	152